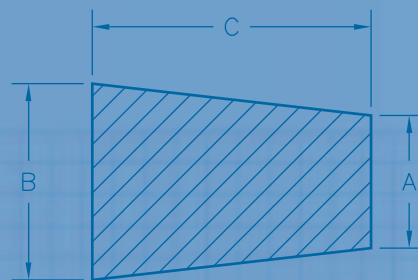


ULTRABAKE™ PLUGS 315°C



Part Number	Colour	Dimensions (mm)			Quantity Per Bag
		A	B	C	
UP99-04	CLEAR	0.79	3.18	15.88	1000
UP100-04	LIGHT GREEN	1.60	3.18	15.88	1000
UP101-04	PINK	1.60	4.78	15.88	1000
UP102-04	BLACK	3.18	6.35	19.05	1000
UP103-04	DARK RED	4.78	8.74	15.88	1000
UP104-04	YELLOW	6.35	9.53	19.05	100
UP105-04	WHITE	6.35	9.53	12.70	100
UP000-04	CLEAR	8.74	12.70	20.65	100
UP00-04	PURPLE	10.31	15.09	25.40	100
UP108-04	LIGHT GREEN	11.13	15.88	22.23	100
UP0-04	PINK	12.70	16.66	25.40	100
UP1-04	BLACK	14.30	19.05	25.40	100
UP2-04	RED	15.88	19.84	25.40	100
UP3-04	YELLOW	18.26	23.83	25.40	100
UP4-04	CLEAR	19.05	25.40	25.40	100
UP5-04	LIGHT GREEN	23.01	27.00	25.40	100
UP6-04	DARK GREEN	26.19	31.75	25.40	100
UP7-04	LIGHT BLUE	30.18	36.53	25.40	50
UP8-04	CLEAR	33.35	41.28	25.40	25
UP9-04	RED	37.31	44.45	25.40	25
UP10-04	CLEAR	41.28	50.01	25.40	25
UP11-04	DARK BLUE	47.63	55.96	25.40	25
UP12-04	RED	53.98	63.50	25.40	25

- Recommended for Powder Coating, E-Coating, Plating and Anodising
- Plugs threaded or non-threaded holes
- Color coding increases visibility and eases the job of sorting the plugs after use
- Excellent sealing power and rugged durability ensure quality results after repeated usage
- Reusable
- See page 25

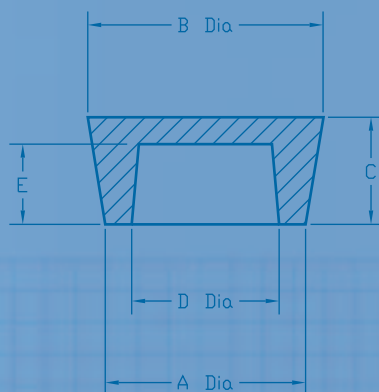


HOLLOW ULTRABAKE™ PLUGS 315°C

Part Number	Colour	Dimensions (mm)					Quantity Per Bag
		A	B	C	D	E	
HUP5-04	LIGHT GREEN	23.01	27.00	25.40	10.31	19.05	100
HUP5.5-04	PINK	24.36	28.17	25.40	11.94	17.78	100
HUP6-04	DARK GREEN	26.19	31.75	25.40	13.49	19.05	100
HUP6.5-04	YELLOW	28.58	34.14	25.40	15.24	19.05	100
HUP7-04	DARK BLUE	30.15	36.50	25.40	13.49	19.05	100
HUP7.5-04	WHITE	30.15	38.10	25.40	17.27	19.05	100
HUP8-04	LIGHT BLUE	33.35	41.28	25.40	20.65	19.05	100
HUP8.5-04	PINK	35.71	42.88	25.40	22.86	19.05	100
HUP9-04	RED	37.31	44.45	25.40	24.61	19.05	100
HUP9.5-04	DARK GREEN	38.10	46.05	25.40	25.40	19.05	50
HUP10-04	CLEAR	41.28	50.01	25.40	28.58	19.05	50
HUP10.5-04	YELLOW	44.45	52.83	25.40	30.48	19.05	50
HUP11-04	DARK BLUE	47.63	55.96	25.40	34.93	19.05	50
HUP11.5-04	DARK GREEN	50.80	62.71	25.40	31.75	15.88	50
HUP12-04	RED	54.00	63.50	25.40	34.93	15.88	50
HUP13-04	LIGHT BLUE	57.94	68.25	25.40	38.89	15.88	50
HUP13.5-04	PURPLE	61.90	75.00	34.93	42.85	25.40	50
HUP13.7-04	LIGHT GREEN	68.00	81.99	38.10	42.60	25.40	10
HUP14-04	WHITE	76.20	88.90	38.10	50.80	25.40	10
HUP15-04	RUSTY RED	82.55	101.60	38.10	57.15	25.40	10
HUP16-04	CLEAR	88.90	127.00	50.80	63.50	38.10	5



- Recommended for Powder Coating, Anodising, and E-Coating
- Plugs threaded or non-threaded holes
- Excellent sealing power
- Rugged and durable
- Reusable
- Significant cost savings over traditional tapered plugs
- More flexible than solid plugs and therefore easier to insert
- Colour coding eases the job of sorting the plugs after use and increases visibility

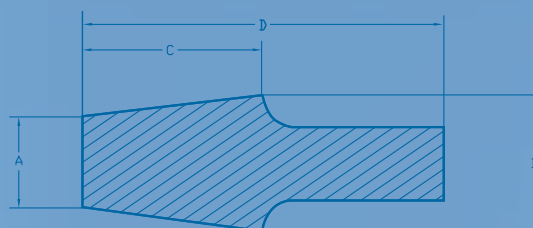


ULTRABAKE™ PLUGS WITH HANDLES 315°C



Part Number	Colour	Dimensions (mm)				Quantity Per Bag
		A	B	C	D	
UP99-H	CLEAR	0.79	3.18	15.88	25.40	1000
UP100-H	LIGHT GREEN	1.60	3.18	15.88	25.40	1000
UP101-H	PINK	1.60	4.78	15.88	28.70	1000
UP102-H	BLACK	3.18	6.35	19.05	31.75	1000
UP103-H	DARK RED	4.78	8.74	15.88	28.70	1000
UP104-H	YELLOW	6.35	9.53	19.05	31.75	100
UP105-H	WHITE	6.35	9.53	12.70	25.40	100
UP00-H	PURPLE	10.31	15.09	25.40	44.45	100
UP108-H	LIGHT GREEN	11.13	15.88	22.23	41.28	100
UP0-H	PINK	12.70	16.66	25.40	44.45	100
UP2-H	RED	15.88	19.84	25.40	44.45	100
UP3-H	YELLOW	18.26	23.83	25.40	44.45	100
UP4-H	CLEAR	19.05	25.40	25.40	44.45	100

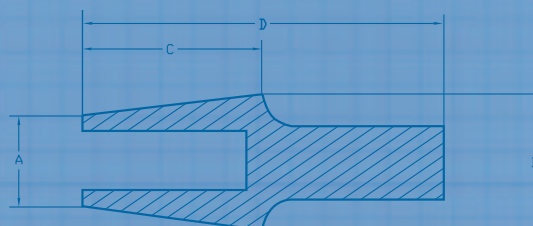
- Recommended for Powder Coating, E-Coating, Plating and Anodising
- Plugs threaded or non-threaded holes
- Colour coding increases visibility and eases the job of sorting the plugs after use
- Excellent sealing power and rugged durability ensure quality results after repeated usage



HOLLOW ULTRABAKE™ PLUGS WITH HANDLES 315°C

Part Number	Colour	Dimensions (mm)				Quantity Per Bag
		A	B	C	D	
HUP5-H	LIGHT GREEN	23.01	27.00	25.40	44.45	100
HUP6-H	DARK GREEN	26.19	31.75	25.40	44.45	100
HUP7-H	DARK BLUE	30.15	36.50	25.40	44.45	50
HUP10-H	CLEAR	41.28	50.01	25.40	44.45	25
HUP11-H	DARK BLUE	47.63	55.96	25.40	44.45	25

- Handles on smaller plugs make insertion and removal quicker
- Reusable

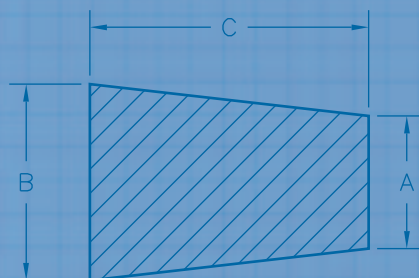


NEOPRENE TAPERED PLUGS 177°C

Part (Green) Number	Part (Black) Number	Dimensions (mm)			Quantity Per Bag
		A	B	C	
GN99	BN99	0.79	3.18	15.88	1000
GN100	BN100	1.60	3.18	15.88	1000
GN101	BN101	1.60	4.78	15.88	1000
GN102	BN102	3.18	6.35	19.05	1000
GN103	BN103	4.78	8.74	15.88	1000
GN104	BN104	6.35	9.53	19.05	1000
GN105	BN105	6.35	9.53	12.70	100
GN106	BN106	8.74	11.13	17.48	100
GN000	BN000	8.74	12.70	20.65	100
GN107	BN107	9.53	14.30	25.40	100
GN00	BN00	10.31	15.09	25.40	100
GN108	BN108	11.13	15.88	20.65	100
GN109	BN109	12.70	16.66	25.40	100
GN110	BN110	14.30	19.05	25.40	100
GN111	BN111	15.88	19.84	25.40	100
GN112	BN112	18.26	23.83	25.40	100
GN114	BN114	19.05	25.40	25.40	100
GN116	BN116	23.01	27.00	25.40	100
GN118	BN118	26.19	31.75	25.40	100
GN120	BN120	30.18	36.53	25.40	100
GN122	BN122	33.35	41.28	25.40	50
GN124	BN124	37.31	44.45	25.40	50
GN126	BN126	41.28	50.01	25.40	50
GN128	BN128	47.63	55.96	25.40	25
GN129	BN129	50.80	62.71	25.40	25
GN130	BN130	53.98	63.50	25.40	25
GN132	BN132	57.94	68.28	25.40	25
GN133	BN133	61.93	75.01	37.31	1
GN134	BN134	76.20	88.90	38.10	1
GN136	BN136	82.55	101.60	38.10	1
GN138	BN138	88.90	127.00	50.80	1



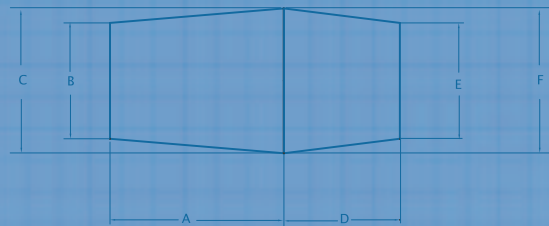
- Recommended for Painting, Plating, Anodising and Blasting
- Available in black and green (carbon free) neoprene
- Reusable
- They offer thermal stability good physical strength, tear resistance, good stiffness, excellent abrasion resistance, high resilience with low compression set and resistance to UV radiation
- Custom designs available
- Reusable
- See pages 13,14 and 15 for higher temperature (315°) plugs.



ULTRABAKE™ DUAL PURPOSE PLUGS 315°C



Part Number	Colour	Square End Dimensions (mm)			Round End Dimensions (mm)			Quantity Per Bag
		A	B	C	D	E (min)	F (max)	
UDPP-0375	BLUE	12.70	6.35	9.53	12.70	6.35	9.53	250
UDPP-0500	GREEN	15.88	9.53	12.70	15.88	9.53	12.70	250
UDPP-0625	RUSTY RED	19.05	12.70	15.88	19.05	12.70	15.88	250
UDPP-0750	YELLOW	19.05	15.88	19.05	19.05	15.88	19.05	100
UDPP-08750	BLACK	25.40	19.05	22.23	25.40	19.05	22.23	100
UDPP-1000	RUSTY RED	25.40	22.23	25.40	25.40	22.23	25.40	100

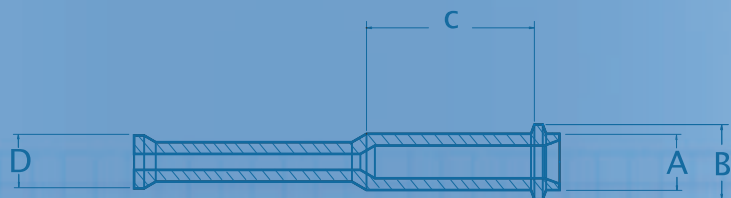


- Fits a wide range of square and round holes.

ULTRABAKE™ HOLLOW FLANGED PULL PLUGS 315°C



Part Number	Colour	Dimensions (mm)				Quantity Per Bag
		A	B	C	D	
HFPP-M6	BLUE	5.00	6.78	23.62	4.45	1000
HFPP-M10	RUSTY RED	8.51	11.18	25.40	7.11	500
HFPP-M12	GREEN	10.59	13.00	28.58	8.38	250
HFPP-M20	YELLOW	17.15	20.32	31.75	12.95	100

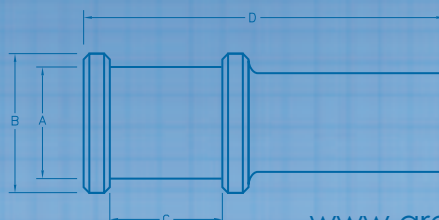


- Masks off the lead in chamfer of threaded through holes

DUAL FLANGED PULL PLUGS 315°C



Part Number	Colour	Thread Size	Dimensions (mm)				Quantity Per Bag
			A	B	C	D	
DFPP-M6	DARK GREEN	M6	5.00	7.80	6.81	33.00	1000
DFPP-M8	RUSTY RED	M8	6.71	9.50	7.90	34.01	1000
DFPP-M10	DARK GREEN	M10	8.51	11.30	8.99	35.00	500
DFPP-M12	PURPLE	M12	10.31	13.01	11.61	45.01	250
DFPP-M16	WHITE	M16	13.49	16.99	14.00	50.01	250
DFPP-M20	DARK BLUE	M20	16.99	21.01	18.01	57.99	100

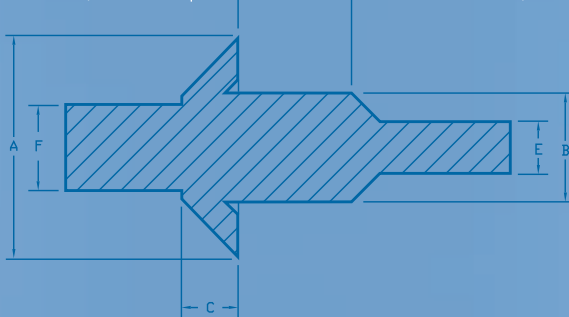


- Recommended for weld nuts
- Masks off chamfer, first thread and last thread
- Will not blow out due to air pressure.

17
[PLUGS]

ULTRABAKE™ WASHER PULL PLUGS 315°C

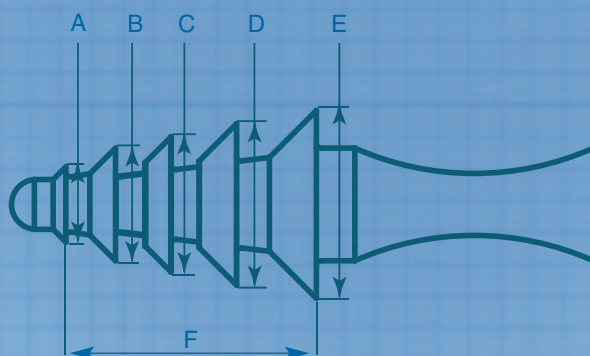
Part Number	Color	Thread Size	Dimensions (mm)						Quantity Per Bag
			A	B	C	D	E	F	
UWPP-M3	DARK BLUE	M3	10.01	2.67	2.72	9.91	1.52	2.29	250
UWPP-M4	DARK GREEN	M4	10.01	3.56	2.72	9.91	2.03	3.05	250
UWPP-M4LS	BLUE	M4	10.01	3.56	22.23	25.40	13.21	4.83	250
UWPP-M5	CLEAR	M5	10.01	4.47	2.72	9.91	2.54	3.81	250
UWPP-M6	WHITE	M6	15.01	5.36	4.19	9.91	3.05	4.57	250
UWPP-M6LS	RUSTY RED	M6	15.01	5.36	38.10	44.45	15.49	6.35	250
UWPP-M8	GREY	M8	15.01	7.19	4.19	9.91	4.09	6.10	250
UWPP-M10	YELLOW	M10	19.99	9.53	5.33	9.91	5.44	8.13	100
UWPP-M12	PINK	M12	19.99	10.87	5.33	9.91	6.20	9.14	100
UWPP-500	PINK	10-24	12.70	4.24	2.72	9.91	2.41	3.56	250
UWPP500LS	GREEN	10-24	12.70	4.24	28.58	34.93	15.24	5.72	250
UWPP-562	YELLOW	12-24	14.28	4.90	2.72	9.91	2.79	4.06	250
UWPP562LS	BLACK	12-24	14.28	4.90	38.10	31.75	16.51	5.72	250
UWPP-625	GREEN	1/4-20	15.88	5.72	2.72	9.91	3.25	4.83	250
UWPP-688	CLEAR	5/16-18	17.48	7.21	4.19	9.91	4.12	6.10	250
UWPP-812	GREY	3/8-16	20.62	8.69	4.19	9.91	4.95	7.37	100
UWPP-922	WHITE	7/16-14	23.42	10.16	5.33	9.91	5.79	8.64	100
UWPP-1060	DARK BLUE	1/2-13	26.92	11.66	5.33	9.91	6.66	9.91	100



- Recommended for Powder Coating, E-Coating, Plating and Anodising
- Ideal for threaded or non-threaded holes
- Dual purpose:
 - Pull through to mask hole and earthing area
 - Push in to mask hole and countersink area

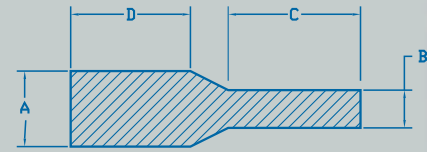
ULTRABAKE™ MULTI-FLANGED PLUGS 315°C

Part Number	Color	Dimensions (mm)						Quantity per bag
		A	B	C	D	E	F	
UMFP10-18	GREEN	10.00	12.00	14.00	16.00	18.00	22.70	
UMFP4-10	BLUE	4.00	6.00	8.00	10.00	N/A	13.70	
UMFP8-16	RUSTY RED	8.00	10.00	12.00	14.00	16.00	23.00	



- One plug fits numerous hole sizes
- Handle for easy removal
- Ideal for powder coating and wet paint
- Designed in conjunction with an engineer from a leading manufacturer

E.P.D.M. PULL PLUGS 177°C

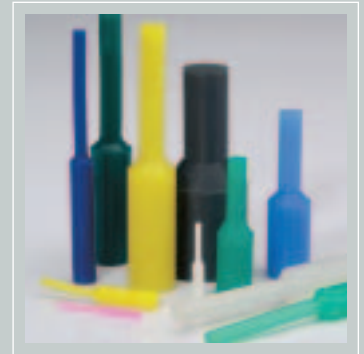


- Recommended for Painting and Anodizing
- Plug threaded or non-threaded parallel through holes
- Reusable
- Custom designs available

Part Number	Hole Fit	Thread	Dimensions (mm)				Quantity Per Bag
			A	B	C	D	
PP06	1/20		1.58	1.17	8.56	9.53	500
PP07	1/16		1.70	1.19	15.49	15.88	500
PP08	1/16	M2	1.85	1.17	14.99	15.55	500
PP09	5/64		2.31	1.32	15.88	15.88	500
PP10	5/64		2.36	1.27	17.78	17.78	500
PP11	3/32		2.64	1.58	15.88	13.34	500
PP11A	7/64		3.18	1.58	15.88	15.88	500
PP14	1/8		3.30	2.36	25.40	25.40	500
PP15	1/8		3.30	2.36	17.78	16.51	500
PP17	1/8		3.61	2.16	14.17	15.88	500
PP18	9/64		3.91	2.11	15.88	16.05	500
PP20	9/64		3.96	1.58	19.05	15.88	500
PP22	5/32		4.12	2.44	14.76	15.88	500
PP23	11/64	M5	4.95	2.79	15.88	15.88	500
PP30	3/16	M6	5.54	3.30	25.40	25.40	500
PP33	7/32		5.72	3.18	25.40	25.40	500
PP37	1/4		6.53	3.30	25.40	25.40	500
PP40	17/64	M8	6.99	3.18	23.37	23.80	500
PP40LS	17/64	M8	6.99	3.71	50.80	50.80	500
PP42	19/64		8.03	3.86	23.11	25.40	500
PP42A	5/16		8.46	6.38	27.94	19.23	500
PP43	5/16		8.51	3.89	25.40	25.40	500
PP50	11/32		8.89	4.90	23.50	22.38	500
PP55	3/8	M10	9.75	3.91	25.40	25.40	250
PP55LS	3/8	M10	9.75	5.18	50.80	50.80	250
PP60	13/32		10.36	4.85	25.40	25.63	250
PP66	7/16	M12	11.28	6.48	25.15	25.40	250
PP67	7/16		11.30	6.48	25.40	25.40	250
PP70	29/64		11.99	6.17	25.40	25.40	250
PP73	15/32		12.60	6.35	25.40	25.40	250
PP73LS	15/32		12.60	6.68	50.80	50.80	250
PP77	1/2		12.95	6.50	24.28	25.40	250
PP80	33/64	M14	13.46	6.35	25.40	25.40	250
PP85	3/16		14.50	7.70	25.43	25.40	250
PP89	19/32		15.55	6.35	25.40	25.40	250
PP89LS	19/32		15.55	8.26	50.80	50.80	250
PP90	5/8		16.26	9.53	25.40	25.40	100
PP95	13/16		17.96	9.53	33.68	31.75	100
PP95LS	13/16		17.96	9.53	50.80	50.80	100
PP97	23/32		18.49	9.53	27.94	28.58	100
PP100	3/4	M20	19.56	9.53	23.55	25.40	100
PP100LS	3/4	M20	19.56	10.36	50.80	50.80	100
PP105	25/32		20.50	10.87	31.75	31.75	100
PP110	7/8		22.56	9.45	25.40	25.40	100
PP120	1		25.91	9.53	26.64	25.40	100
PP140	1-3/8		35.05	18.59	38.10	38.10	50

ULTRABAKE™ PULL PLUGS 315°C

Part Number	Colour	Hole Fit	Thread	Dimensions (mm)				Quantity Per Bag
				A	B	C	D	
SPP06	CLEAR	1/20		1.58	1.17	8.56	9.53	500
SPP07	PINK	1/16		1.70	1.19	15.49	15.88	500
SPP08	LIGHT GREEN	1/16	M2	1.85	1.17	14.99	15.55	500
SPP09	YELLOW	5/64		2.31	1.32	15.88	15.88	500
SPP10	GREY	5/64		2.36	1.27	17.78	17.78	500
SPP11	LIGHT BLUE	3/32		2.64	1.58	15.88	13.34	500
SPP11A	WHITE	7/64		3.18	1.58	15.88	15.88	500
SPP14	CLEAR	1/8		3.30	2.36	25.40	25.40	500
SPP15	PINK	1/8		3.30	2.36	17.78	16.51	500
SPP17	LIGHT GREEN	1/8		3.61	2.16	14.17	15.88	500
SPP17LS	BLUE			3.61	2.16	44.45	38.10	500
SPP18	YELLOW	9/64		3.91	2.11	15.88	16.05	500
SPP20	GREY	9/64		3.96	1.58	19.05	15.88	500
SPP22	LIGHT BLUE	5/32		4.12	2.44	14.76	15.88	500
SPP22LS	GREEN			4.12	2.44	47.63	41.28	500
SPP23	WHITE	11/64	M5	4.95	2.79	15.88	15.88	500
SPP23LS	BLACK			4.95	2.79	50.80	44.45	500
SPP30	CLEAR	3/16	M6	5.54	3.30	25.40	25.40	500
SPP30LS	RUSTY RED			5.54	3.30	50.80	44.45	500
SPP33	PINK	7/32		5.72	3.18	25.40	25.40	500
SPP37	LIGHT GREEN	1/4		6.53	3.30	25.40	25.40	500
SPP40	YELLOW	17/64	M8	6.99	3.18	23.37	23.80	500
SPP40LS	WHITE	17/64	M8	6.99	3.71	50.80	50.80	500
SPP42	GREY	19/64		8.03	3.86	23.11	25.40	500
SPP42A	LIGHT BLUE	5/16		8.46	6.38	27.94	19.23	500
SPP43	WHITE	5/16		8.51	3.89	25.40	25.40	500
SPP50	CLEAR	11/32		8.89	4.90	23.50	22.38	500
SPP55	PINK	3/8	M10	9.75	3.91	25.40	25.40	250
SPP55LS	DARK BLUE	3/8	M10	9.75	5.18	50.80	50.80	250
SPP60	LIGHT GREEN	13/32		10.36	4.85	25.40	25.63	250
SPP66	YELLOW	7/16	M12	11.28	6.48	25.15	25.40	250
SPP67	GREY	7/16		11.30	6.48	25.40	25.40	250
SPP70	LIGHT BLUE	29/64		11.99	6.17	25.40	25.40	250
SPP73	WHITE	15/32		12.60	6.35	25.40	25.40	250
SPP73LS	LIGHT GREEN	15/32		12.60	6.68	50.80	50.80	250
SPP77	CLEAR	1/2		12.95	6.50	24.28	25.40	250
SPP80	PINK	33/64	M14	13.46	6.35	25.40	25.40	250
SPP85	LIGHT GREEN	3/16		14.50	7.70	25.43	25.40	250
SPP89	YELLOW	19/32		15.55	6.35	25.40	25.40	250
SPP89LS	CLEAR	19/32		15.55	8.26	50.80	50.80	250
SPP90	GREY	5/8		16.26	9.53	25.40	25.40	100
SPP95	LIGHT BLUE	13/16		17.96	9.53	33.68	31.75	100
SPP95LS	DARK GREEN	13/16		17.96	9.53	50.80	50.80	100
SPP97	WHITE	23/32		18.49	9.53	27.94	28.58	100
SPP100	CLEAR	3/4	M20	19.56	9.53	23.55	25.40	100
SPP100LS	YELLOW	3/4	M20	19.56	10.36	50.80	50.80	100
SPP105	PINK	25/32		20.50	10.87	31.75	31.75	100
SPP110	LIGHT GREEN	7/8		22.56	9.45	25.40	25.40	100
SPP120	YELLOW	1		25.91	9.53	26.64	25.40	100
SPP140	GREY	1-3/8		35.05	18.59	38.10	38.10	50



- Recommended for Powder Coating, E-Coating, Plating and Anodizing
- Plug threaded or non-threaded through holes
- Reusable
- Ultrabake™ Pull Plugs are colour coded to increase visibility and to ease the job of sorting plugs after use