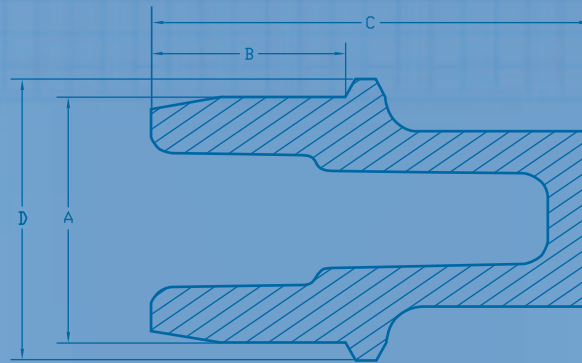


# ULTRABAKE™ THREAD MASKS 315°C



- Recommended for Powder Coating and E-coating
- Designed to mask the first thread of a threaded hole
- Sizes for metric and UNC threads
- Hollow design cools quickly for ease of removal
- Tapered to prevent liquid trapping

Part Number	Colour	Dimensions (mm)				Quantity Per Bag
		A	B	C	D	
UTM-1/4-20	YELLOW	5.54	5.08	11.43	6.60	500
UTM-5/16-18	LIGHT GREEN	7.06	5.08	12.70	8.13	500
UTM-3/8-16	WHITE	8.53	6.35	15.24	9.78	500
UTM-1/2-13	CLEAR	11.46	8.89	19.05	12.95	250
UTM-7/16-14	PINK	9.96	8.89	19.05	11.18	250
UTM-M6*1	CLEAR	5.28	5.00	14.00	6.30	500
UTM-M8*1.25	DARK BLUE	7.19	5.00	12.24	8.41	500
UTM-M10*1.5	PINK	9.09	7.01	16.00	10.39	250
UTM-M12*1.75	RUSTY RED	10.82	8.79	20.12	12.42	250
UTM-M16*2	LIGHT GREEN	14.81	11.00	23.01	16.61	100
UTM-M20*2.5	YELLOW	18.89	13.01	28.50	20.60	100



# ULTRABAKE™ THREAD MASKS LS 315°C

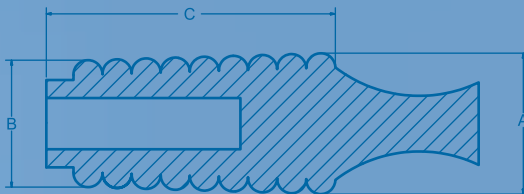


- LS (Long Series) have longer handles for hard to reach areas
- Longer sealing area
- Reusable

Part Number	Colour	Dimensions (mm)				Quantity Per Bag
		A	B	C	D	
UTM-1/4-20LS	YELLOW	5.54	7.09	23.42	6.60	500
UTM-1/4-36LS	DARK BLUE	5.89	6.86	23.42	6.60	500
UTM-5/16-18LS	LIGHT GREEN	7.06	7.09	22.71	8.13	500
UTM-5/16-40LS	RUSTY RED	7.52	7.09	22.71	8.13	250
UTM-3/8-16LS	WHITE	8.53	8.36	25.25	9.78	250
UTM-3/8-36LS	YELLOW	9.07	8.36	25.25	9.78	250
UTM-M3*0.5LS	RED	3.50	5.33	20.83	3.05	1000
UTM-M4*0.7LS	PINK	4.09	5.84	21.84	4.04	1000
UTM-M5*0.8LS	PURPLE	5.26	5.59	20.83	5.06	500
UTM-M6*1LS	CLEAR	5.28	7.49	24.49	6.30	500
UTM-M8*1.25LS	DARK BLUE	7.19	7.49	22.76	8.41	500
UTM-M10*1.5LS	PINK	9.09	7.01	24.00	10.39	250
UTM-M24*2LS	GREY	22.76	16.00	37.85	24.05	50

# ULTRABAKE™ FLANGELESS PLUGS 315°C

Part Number	Colour	Dimensions (mm)			Quantity Per Bag
		A	B	C	
UFP00250	CLEAR	5.84	3.99	25.40	250
UFP00312	BLACK	8.00	5.61	25.40	250
UFP00406	YELLOW	9.65	8.00	25.40	250
UFP00468	CLEAR	11.94	9.65	25.40	250
UFP00562	LIGHT BLUE	14.61	12.19	25.40	250
UFP00625	PURPLE	16.00	13.61	25.40	250
UFP00718	RUSTY RED	18.01	16.00	25.40	250
UFP00787	LIGHT GREEN	19.99	18.01	25.40	100
UFP00866	GREY	22.00	19.99	25.40	100
UFP00945	CLEAR	24.00	22.00	25.40	100
UFP01024	BLACK	26.01	24.00	25.40	100
UFP01102	DARK GREEN	27.99	26.00	25.40	100
UFP01134	PURPLE	29.13	27.00	25.40	50
UFP01178	LIGHT BLUE	30.00	27.99	25.40	50
UFP01216	RUSTY RED	30.99	29.01	25.40	50
UFP01234	YELLOW	91.90	30.00	25.40	50



- Recommended for Powder Coating, E-Coating, Plating and Anodising
- Designed to protect plain or threaded holes without masking the surrounding area
- The tapered design and hollow core allow a single plug to be used for different sized holes
- Colour coding increases visibility and eases the job of sorting the plugs after use

# E.P.D.M. FLANGELESS PLUGS 149°C

Part Number	Dimensions (mm)			Quantity Per Bag
	A	B	C	
FP00250	5.84	3.99	25.40	250
FP00312	8.00	5.61	25.40	250
FP00406	9.65	8.00	25.40	250
FP00468	11.94	9.65	25.40	250
FP00562	14.61	12.19	25.40	250
FP00625	16.00	13.61	25.40	250
FP00718	18.01	16.00	25.40	250
FP00787	19.99	18.01	25.40	100
FP00866	22.00	19.99	25.40	100
FP00945	24.00	22.00	25.40	100
FP01024	26.01	24.00	25.40	100
FP01102	27.99	26.00	25.40	100

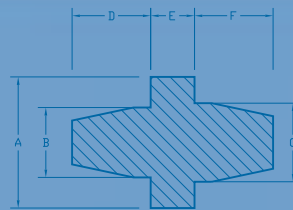
- Recommended for Plating, Anodising and Spray-Painting
- Tapered design and hollow core allow multiple applications
- Protect plain or threaded holes without masking the surrounding area

# ULTRABAKE™ WASHER PLUGS 315°C



- Recommended for Powder Coating, E-Coating, Anodising, and Plating
- Ideal for masking the earthing area around threaded and through holes
- Provides a concentric mask around a hole
- Single plug can be used for 2 hole sizes
- Reusable

Part Number	Colour	Dimensions (mm)						Quantity Per Bag
		A	B	C	D	E	F	
UW-M3	DARK GREEN	7.01	2.79	3.71	5.59	5.00	7.39	1000
UW-M4	PINK	8.99	3.61	4.70	7.19	5.00	9.40	1000
UW-M5	CLEAR	10.00	4.50	5.69	8.99	5.00	11.41	1000
UW-M6	RED	12.50	5.31	6.71	10.59	5.00	13.41	500
UW-M8	BLACK	16.99	7.11	8.71	14.20	5.00	17.40	500
UW-M10	YELLOW	21.01	9.60	10.69	19.20	5.00	21.42	250
UW-M12	CLEAR	24.00	10.90	12.70	21.79	5.00	25.40	250
UW380	YELLOW	6.35	2.44	3.25	8.84	5.00	12.80	1000
UW400	BLACK	7.93	3.40	3.99	12.45	4.90	12.75	1000
UW405	CLEAR	8.10	3.15	6.40	9.78	5.51	12.98	1000
UW410	PINK	9.65	3.48	4.06	11.53	4.98	12.88	1000
UW412	RED	9.53	5.03	6.96	12.50	5.03	12.70	500
UW415	LIGHT GREEN	12.75	3.25	4.72	9.68	5.13	12.62	500
UW420	DARK BLUE	12.83	6.20	6.53	12.93	4.91	13.11	500
UW440	YELLOW	15.88	3.23	6.50	9.09	4.85	12.85	500

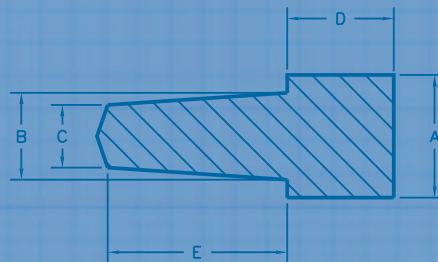


# ULTRABAKE™ STEP PLUGS 315°C



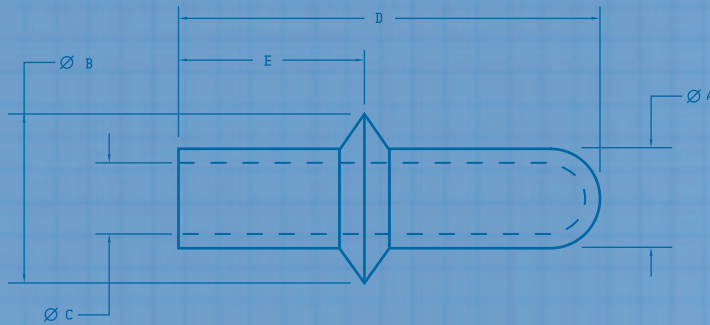
- Recommended for Powder Coating, E-Coating, Anodising, and Plating
- Provides a clean area around diameter of hole for earthing purposes
- Colour coded
- Eliminates 2-step masking
- Plugs threaded or non-threaded holes
- Reusable

Part Number	Color	Dimensions (mm)					Quantity Per Bag
		A	B	C	D	E	
SP-M3	LIGHT BLUE	7.01	3.00	2.36	7.01	13.01	500
SP-M4	LIGHT GREEN	8.00	5.00	2.85	8.00	14.00	500
SP-M5	PURPLE	8.99	5.99	3.94	8.99	16.03	500
SP-M6	BLACK	10.16	6.43	4.78	10.16	17.63	250
SP-M8	WHITE	12.42	8.23	5.95	9.75	17.32	250



# ULTRABAKE™ FLANGED PLUGS 315°C

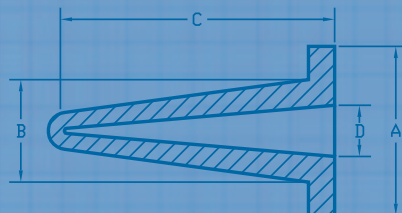
Part Number	Color	Dimensions (mm)				Quantity	Per Bag
		A	B	C	D	E	
SFP-M8	YELLOW	7.39	11.99	4.50	42.01	11.99	250
SFP-M10	PINK	8.71	14.71	7.01	46.99	13.01	250
SFP-M12	CLEAR	10.69	15.88	8.00	51.00	14.00	250
SFP-M14	GREY	13.69	18.01	10.59	64.01	15.01	250



- Ideal for Powder Coating and E-Coating
- Masks off the hole and the flange masks the first thread

# ULTRABAKE™ HOLLOW WASHER PLUGS 315°C

Part Number	Color	Dimensions (mm)				Quantity
		A	B	C	D	Per Bag
HWP-0330	CLEAR	12.50	6.30	23.01	3.30	200
HWP-0450	BLACK	16.00	8.51	24.99	4.50	200
HWP-0500	YELLOW	16.51	10.01	27.99	5.00	200
HWP-0800	DARK BLUE	19.00	14.00	35.99	8.00	200
HWP-1150	PURPLE	24.99	17.51	38.00	11.51	200
HWP-1350	RUSTY RED	27.99	19.51	51.00	13.49	100
HWP-1480	GREY	25.40	20.80	49.00	14.81	100
HWP-1600	CLEAR	30.99	22.00	53.01	16.00	100

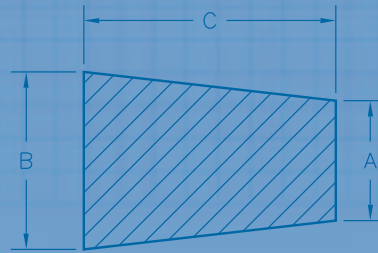


- Recommended for Powder Coating, E-Coating, Anodizing, and Plating
- Provides a concentric mask around a hole
- Ideal for masking the earthing area around threaded and through holes
- Reusable
- Can be pulled into sheet metal holes

# MISCELLANEOUS ULTRABAKE™ PLUGS 315°C



Part Number	Colour	Dimensions (mm)			Quantity Per Bag
		A	B	C	
MSP101L	DARK GREEN	1.58	4.75	19.05	1000
MSP102L	YELLOW	3.18	6.35	25.40	1000
MSP103L	CLEAR	4.75	8.71	25.40	1000
MSP104L	RED	6.35	11.10	25.40	1000
MSP105L	WHITE	8.03	14.15	25.40	500
MSP106L	PINK	11.10	17.45	25.40	500
MSP107L	CLEAR	14.28	19.05	25.40	250
MSP108L	CLEAR	15.88	20.32	25.40	250
MSP109L	CLEAR	19.05	23.50	25.40	250



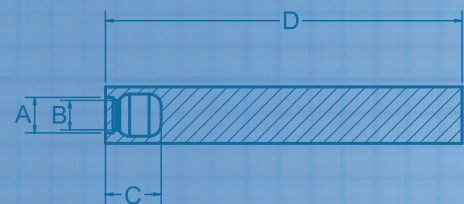
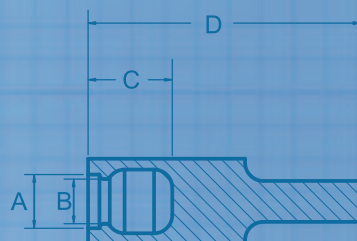
Part Number	Temp Limit	Dimensions (mm)			Quantity Per Bag
		A	B	C	
MPP-UB	315°C	3.18	9.53	31.75	500
MPP-BR	65°C	3.18	9.53	31.75	500
MPP-SP	315°C	3.18	12.70	50.80	500
MPP-GN	177°C	3.18	12.70	50.80	500

- Recommended for Powder Coating, E-Coating and Plating
- Plugs threaded or non-threaded holes
- Excellent sealing power
- Reusable
- Highly versatile
- See also page 13 and 14 for larger sized tapered plugs

# ULTRABAKE™ ZERK CAPS 315°C



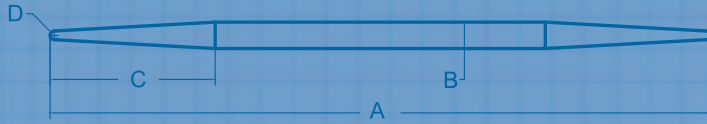
Part Number	Material	Colour	Dimensions (mm)				Quantity Per Bag
			A	B	C	D	
ZC-S	Ultrabake™	BLUE	5.89	4.90	9.25	29.95	500
ZC-L	Ultrabake™	RUSTY RED	5.89	4.90	9.25	59.26	250
ZC-S-N	Neoprene	GREEN	5.89	4.90	9.25	29.95	500
ZC-L-N	Neoprene	GREEN	5.89	4.90	9.25	59.26	250



- Designed to mask a variety of grease fittings in powder coating, E-Coating or wet painting applications
- Reusable

# MOUSE TAIL PLUGS (315°)

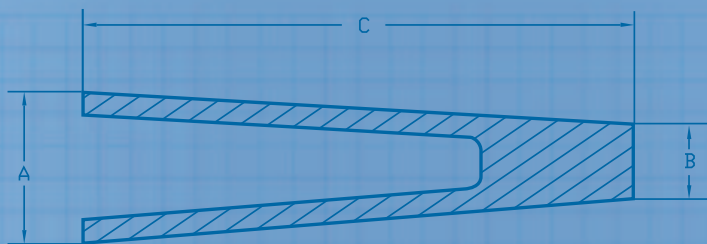
Part Number	Dimensions (mm)				Material	Quantity Per Bag
	A	B	C	D		
SMT100	50.80	2.03	12.70	0.64	Ultrabake (315°)	500
MT100	50.80	2.03	12.70	0.64	EPDM (177°)	500



- Ideal for small holes
- Stretches to provide leakproof seal
- Reusable

# ULTRABAKE™ HOLLOW CONE PLUGS 315°C

Part Number	Color	Dimensions (mm)			Quantity Per Bag
		A	B	C	
UHCP-1	RUSTY RED	14.73	3.74	48.26	250
UHCP-2	BLUE	19.99	10.01	73.66	100



- Recommended for Powder Coating, E-Coating, Anodizing, and Plating
- Ideal for slotted and oval holes
- Hollow configuration and tapered design makes this plug highly versatile
- Reusable